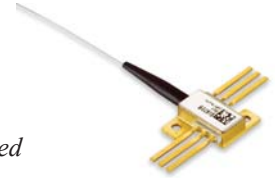




808nm High-Efficiency Single Emitters

Alfalight's "generation B" 808 nm pump lasers offer low threshold, high slope efficiency, and excellent stability over temperature. The fiber-coupled devices offer 5.0 watts ex-fiber in high-reliability uncooled packages with high-brightness 200 μm , 0.15 NA fiber. Alfalight's 6-pin package is GR-468 compliant.



Features

- 5.0 W Output
- Fiber-coupled 200 μm / 0.15 NA
- High Reliability
- Environmentally-rugged

Applications

- Nd:YAG and Nd:YVO₄ microlasers
- Laser-initiated ordnance
- End-pumped DPSS lasers
- Thulium-doped fiber laser pumping

Device Characteristics*

AM6-808B-60-503					
Electro-Optical	Symbol	Min	Typ	Max	Units
Center wavelength	λ_c	804	808	811	nm
Output power	P_o		5.0		W
Operating current	I_o		5.7		A
Forward voltage	V_f		1.75	1.8	V
Threshold current	I_{th}		0.9		A
Spectral width	$\Delta\lambda$		3.0	5.0	nm

Temperature and Thermoelectric cooler

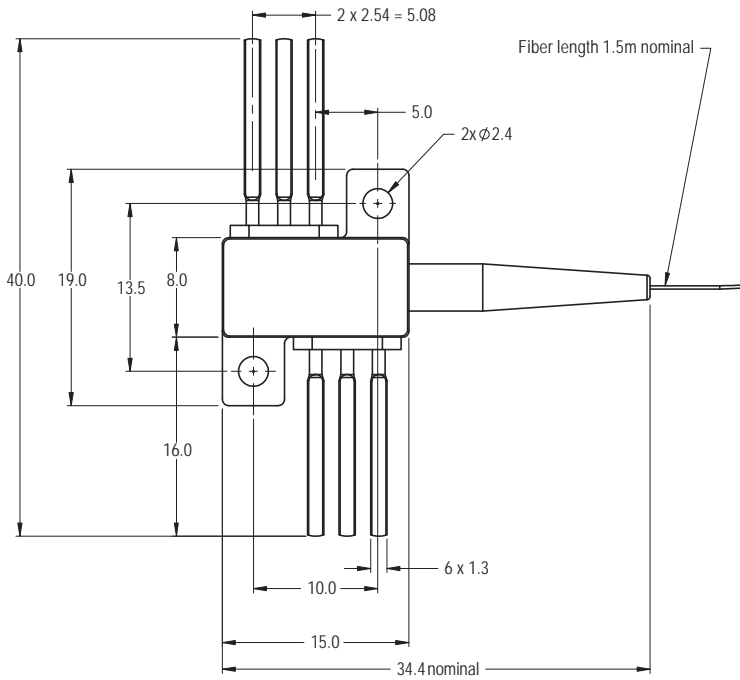
Thermistor value at 25°C	R_{th}	9.5	10	10.5	k Ω
Thermistor constant, 0 - 50°C	β		3892		K
Spectral shift	$d\lambda/dT$		0.26		nm/°C

Mechanical

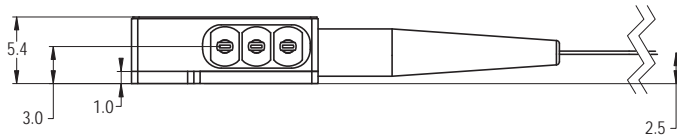
Case operating temperature		0		50	°C
Case storage temperature		-40		85	°C
Fiber core diameter			200		μm
Fiber NA	NA		0.15		
Fiber length		1.25	1.5	1.8	m

* All conditions are at 25°C submount temperature and output power unless otherwise noted.
All Temperatures T refer to package thermistor temperature.

Package Dimensions



All units in mm



Package Pinout

