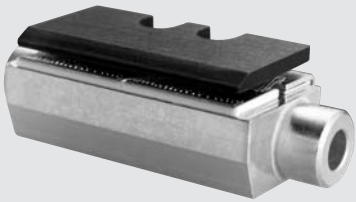


PulseLife Horizontal Array

Water-Cooled Horizontal Linear Array

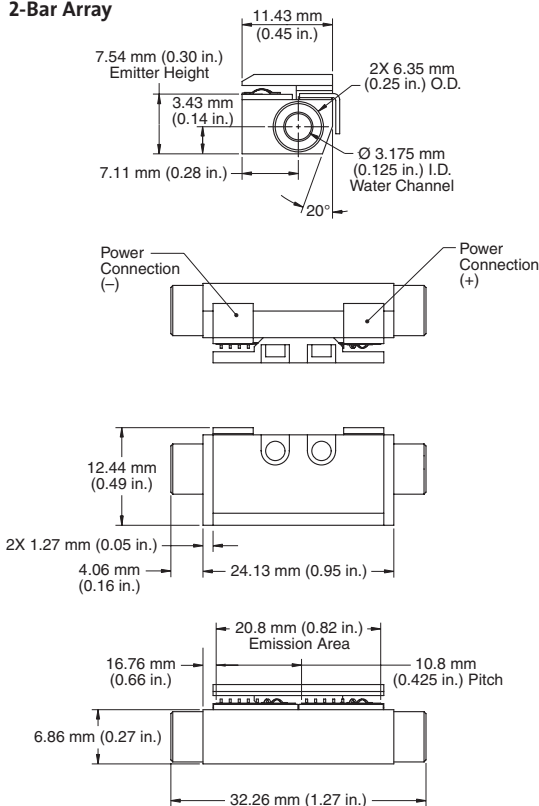
Features

- Hard-solder indium-free die attach
- Simple, reliable (not micro-channeled) water cooling
- Patented industry-leading AAA™ (Aluminum-free Active Area) epi
- >20,000 hours MTF

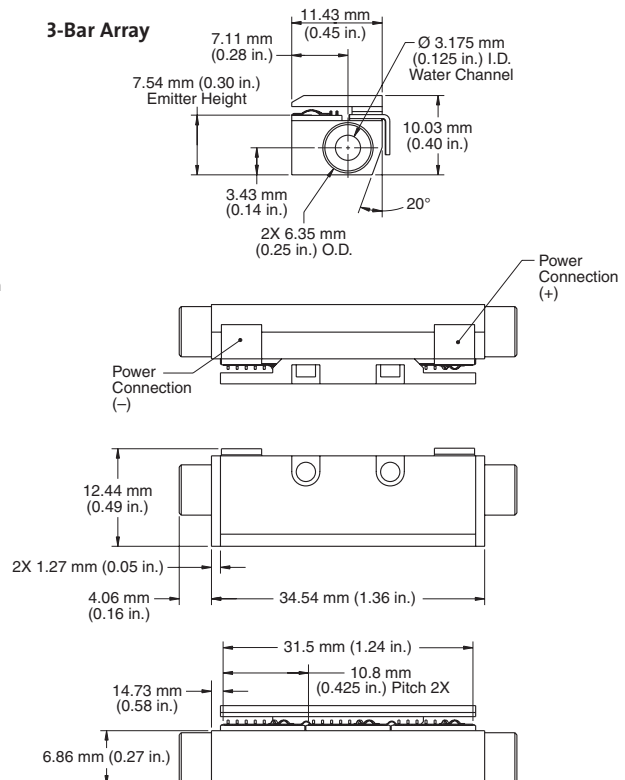


Mechanical Specifications

2-Bar Array



3-Bar Array



Superior Reliability & Performance

PulseLife™ Horizontal Array

Water-Cooled Horizontal Linear Array

Device Specifications¹

	2-Bar Array	3-Bar Array	Notes
Part Number	1122293	1122294	
CW Output Power (W)	80	120	For the array
Center Wavelength (nm)	808		At rated power and operating temperature With water flow 1.5 LPM per array
Wavelength Accuracy (nm)	±3		Of centroid wavelength, for the array
Spectral Width (nm)	<3 @ FWHM		At rated power and operating condition
Slow Axis Divergence (FWHM)	<10°		By design, not routinely measured
Fast Axis Divergence (FWHM)	<35°		By design, not routinely measured
Operating Current (A)	45		To achieve rated power at rated operating condition.
Operating Voltage (V)	4	6	Measured at array terminals
Operating Temperature ² (°C)	5 to 45		Water inlet temperature Non-condensing atmosphere required
Storage Temperature (°C)	-40 to 85		In sealed dry air
Nominal Water Flow Rate (LPM)	>1.5		Per array
Water Pressure Drop (psi)	<40		To achieve the minimum required flow rate
Maximum Internal Pressure (psi)	100		
Water Filter Size (µm)	<100		Filtered to this level
Water Quality	Distilled or clean tap water		
Operation Mode	CW		
Forward Current	55A		
Reverse Current	25 µA		
Reverse Voltage	2V		For the array

Absolute Maximum Ratings

¹ All values specified at beginning of life.
² See operating instructions for operation in high-humidity environments where condensation below 25°C might occur.

Coherent follows a policy of continuous product improvement. Specifications are subject to change without notice.

Coherent's scientific and industrial lasers are certified to comply with the Federal Regulations (21 CFR Subchapter J) as administered by the Center for Devices and Radiological Health on all systems ordered for shipment after August 2, 1976.

Coherent offers a limited warranty for all PulseLife arrays. For full details of this warranty coverage, please refer to the Service section at www.Coherent.com or contact your local Sales or Service Representative.



www.Coherent.com

Coherent, Inc.
 5100 Patrick Henry Drive
 Santa Clara, CA 95054
 phone (800) 527-3786
 (408) 764-4983
 fax (800) 362-1170
 (408) 988-6838
 e-mail tech.sales@Coherent.com

Benelux +31 (30) 280 6060
 China +86 (10) 6280 0209
 France +33 (0)1 6985 5145
 Germany +49 (6071) 9680
 Italy +39 (02) 34 530 214
 Japan +81 (3) 5635 8700
 Korea +82 (2) 460 7900
 UK +44 (1353) 658 833